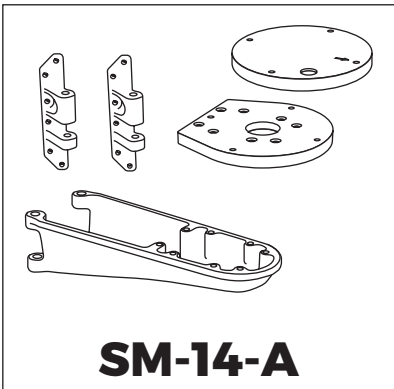
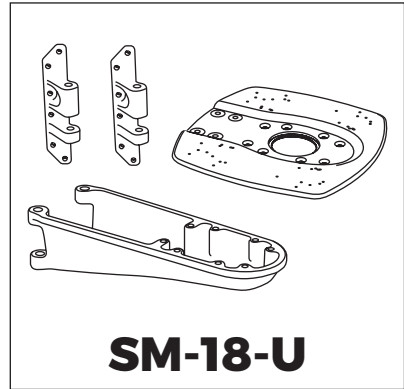
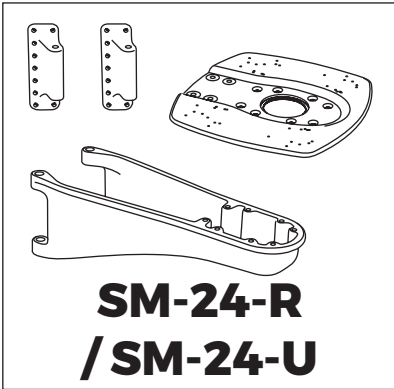
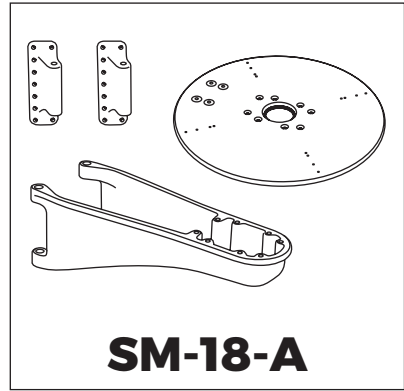
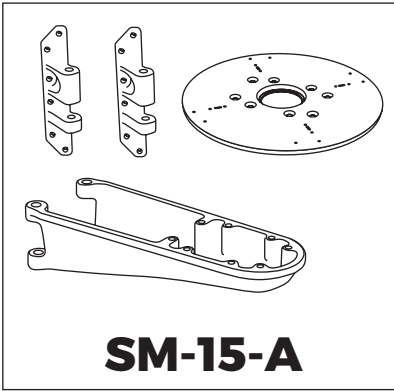
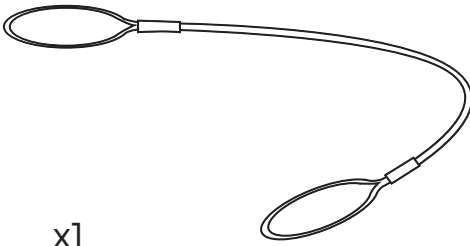
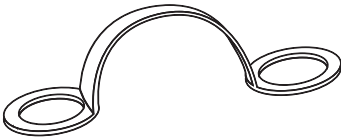


SM-14-A / SM-15-A
SM-18-U / SM-18-A
SM-24-R / SM-24-U





x1



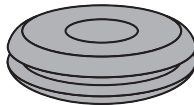
x1



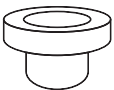
x2



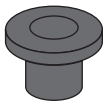
x4



x1



x8



x14

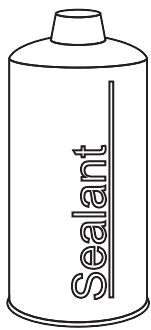
(SM-14-A / SM-15-A
/ SM-18-U)



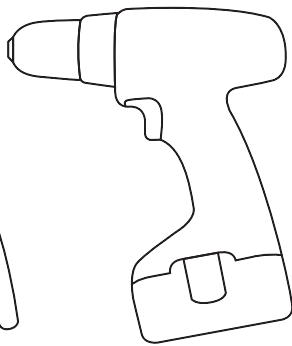
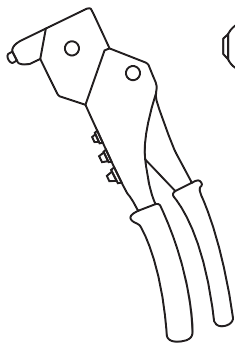
x18



x2



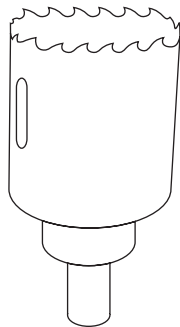
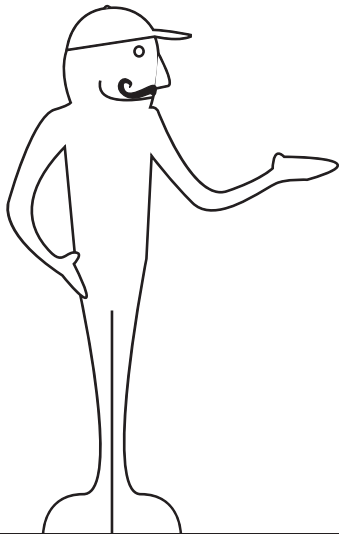
3M 4000 or
Equivalent



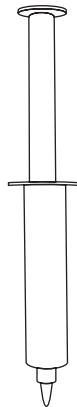
5/16" = 8mm



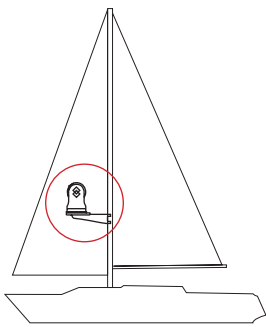
3/16" = 4.7mm



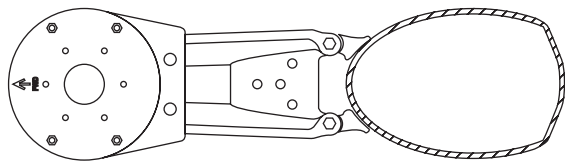
15/16" = 25mm



Tef-Gel or Equivalent

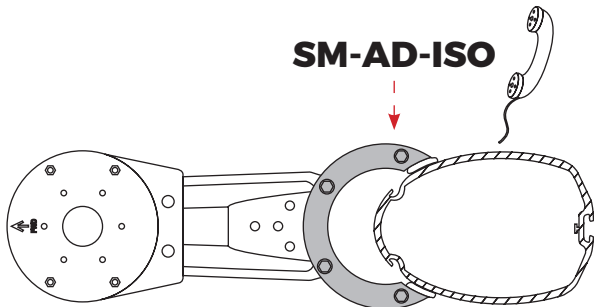


1A

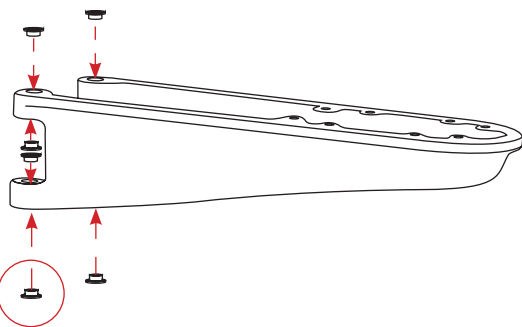
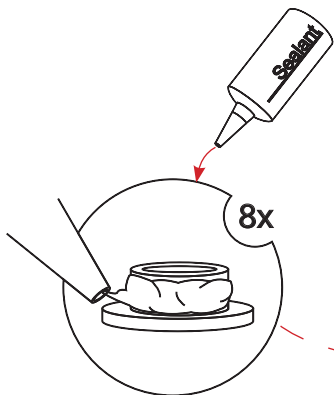


SM-AD-ISO

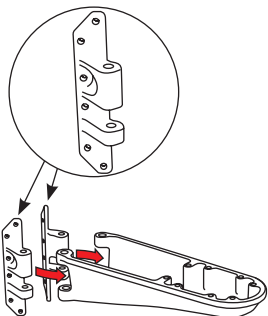
1B



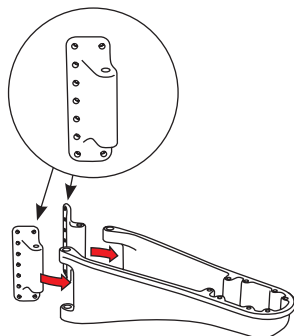
2



3

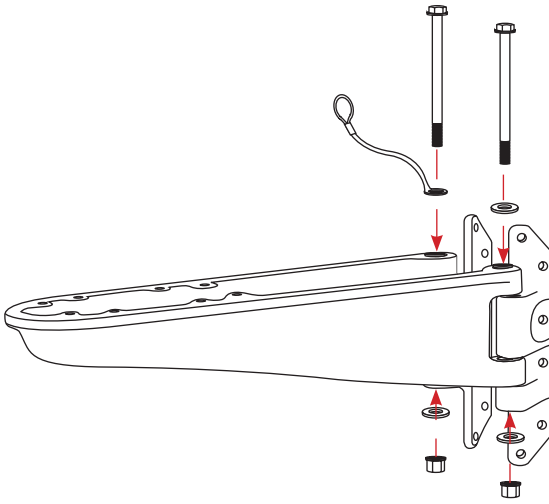


**SM-14-A / SM-15-A
/ SM-18-U**

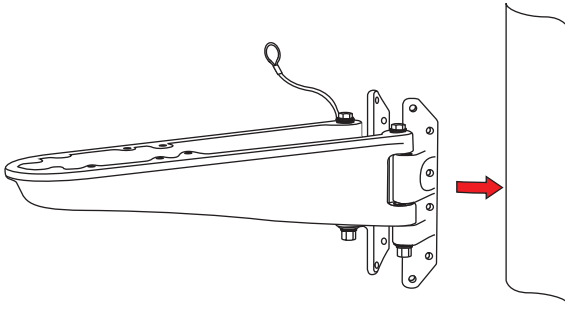


**SM-18-A / SM-24-U
/ SM-24-R**

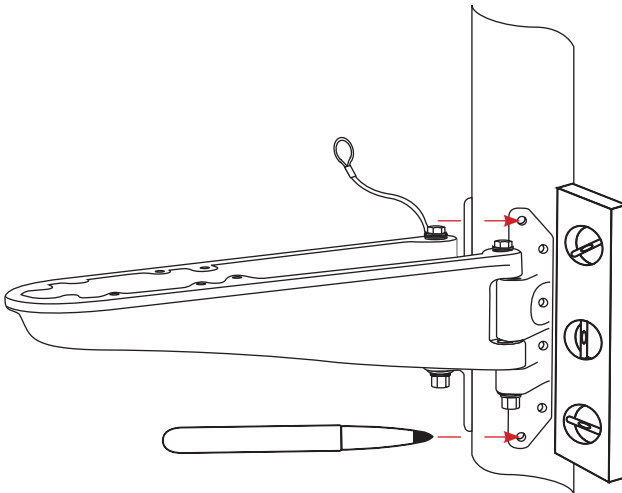
4

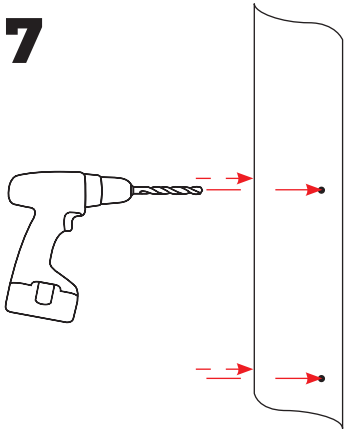
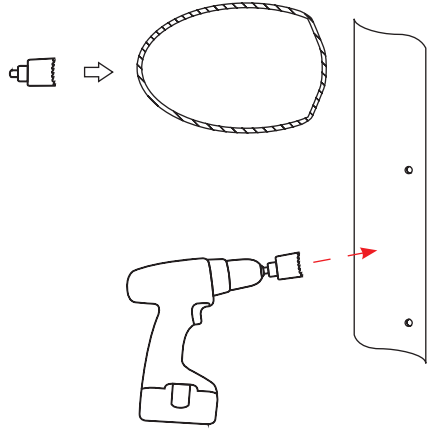
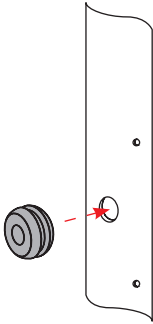
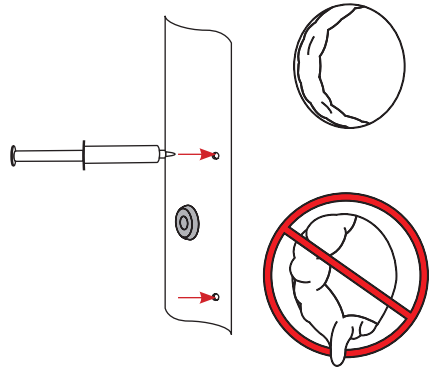
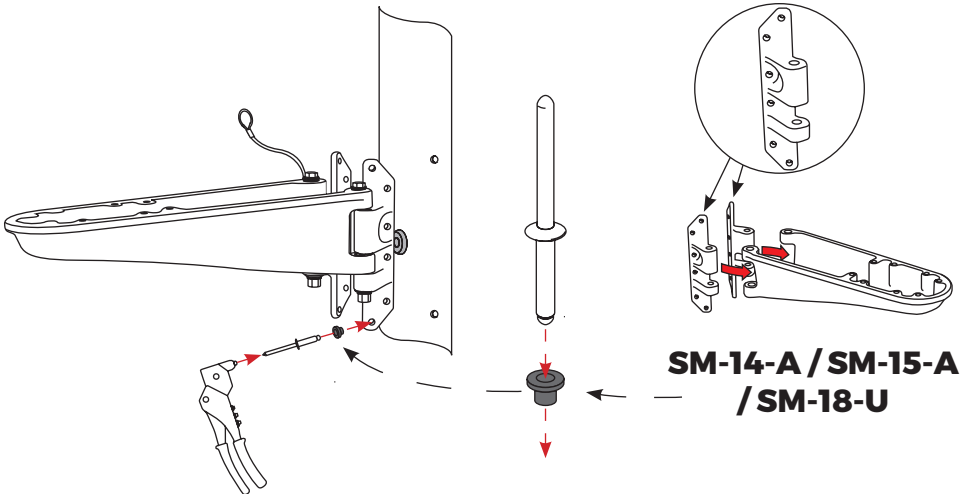


5

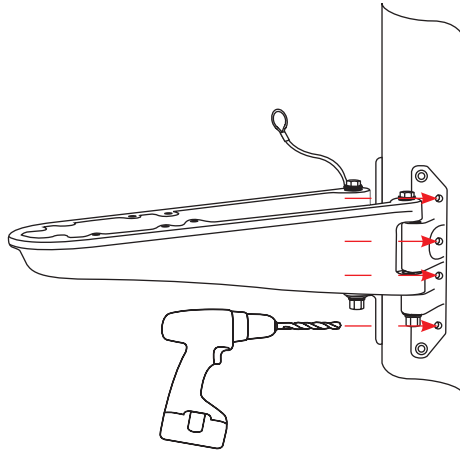


6

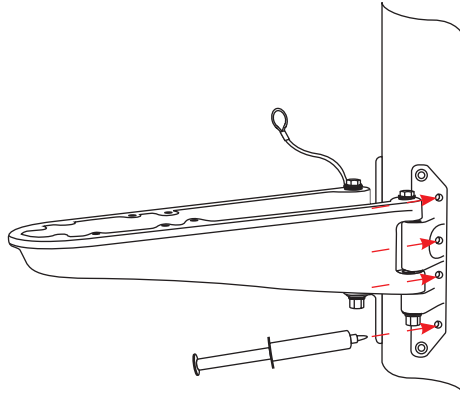


7**8****9****10****11**

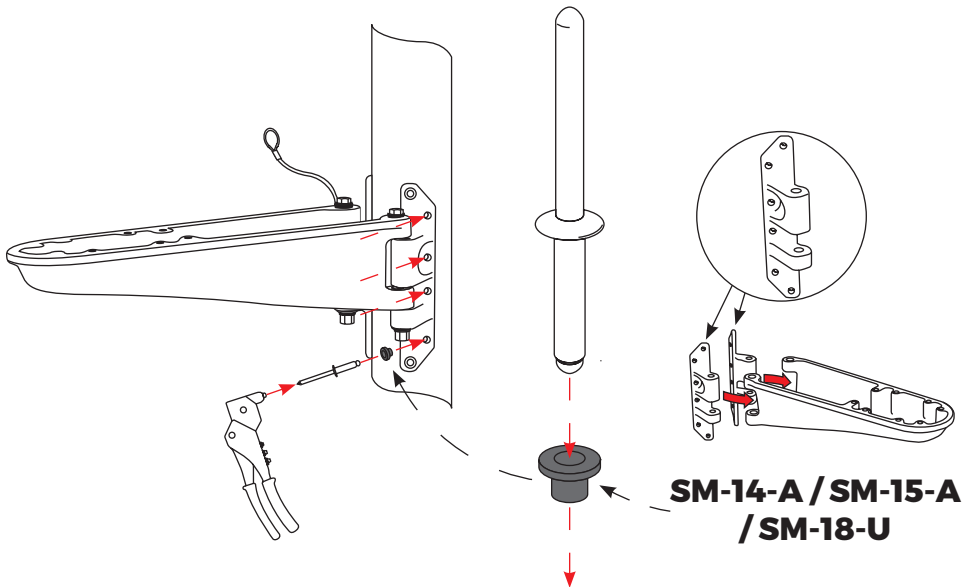
12



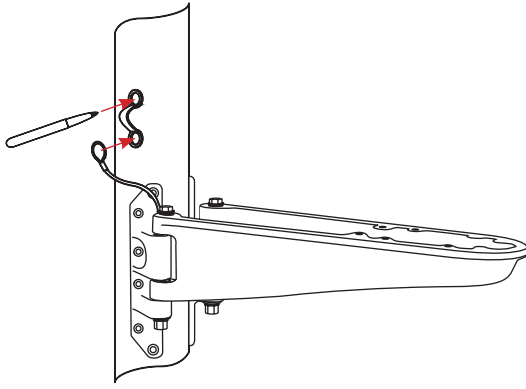
13



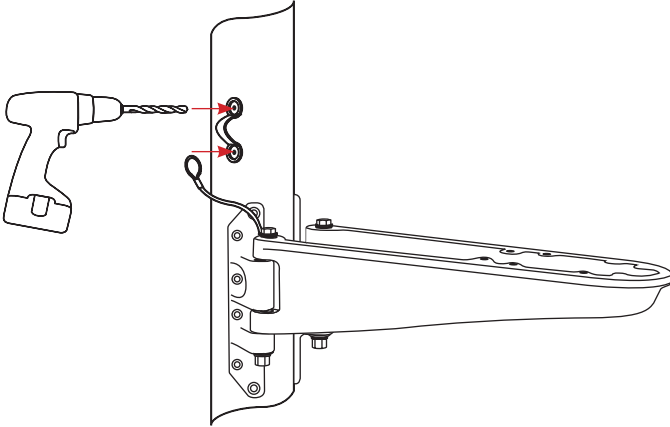
14



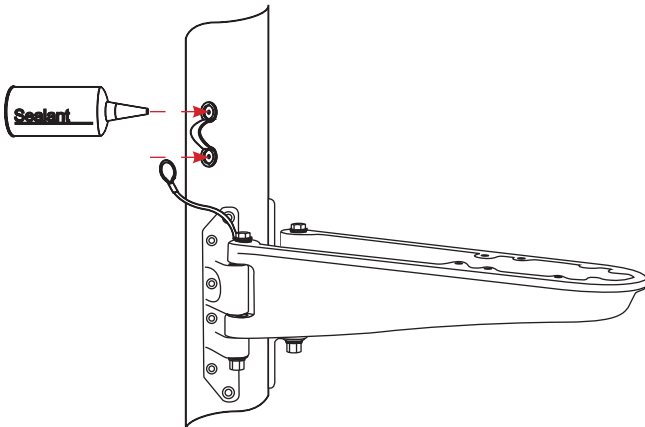
15



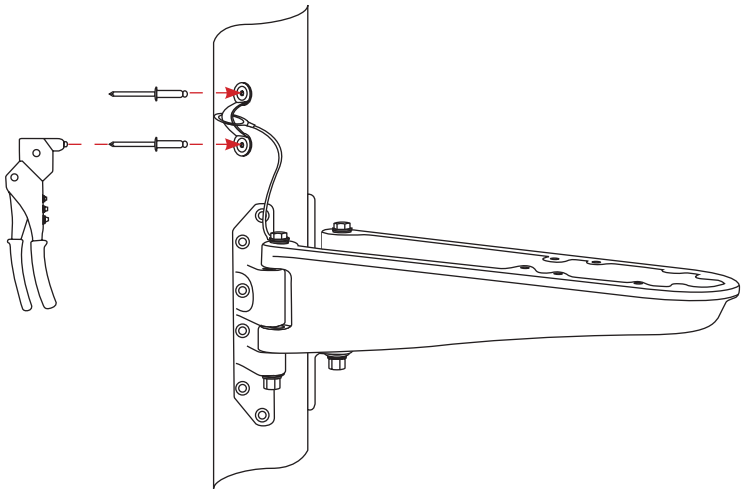
16



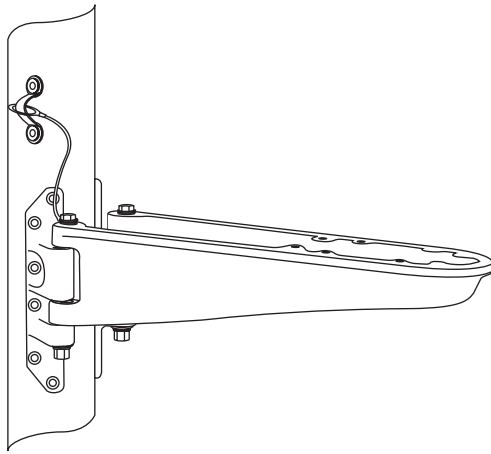
17



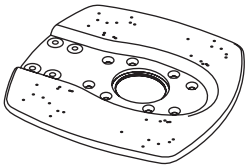
18



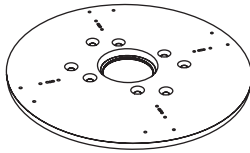
19



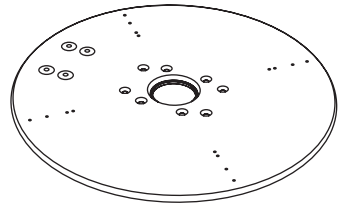
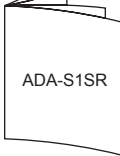
20



ADA-R1

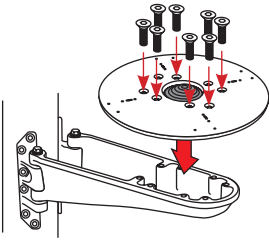


ADA-S1SR

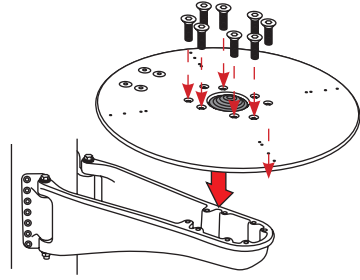


ADA-S2

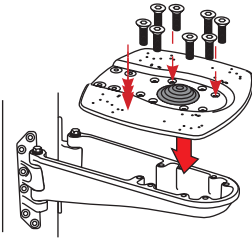




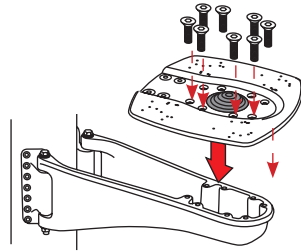
SM-15-A



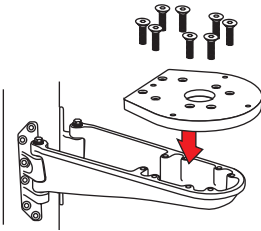
SM-18-A



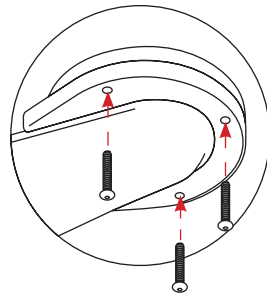
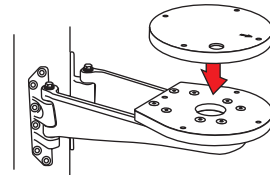
SM-18-U



SM-24-R / SM-24-U



SM-14-A



Note:
Hardware
is not
provided
for the
electronics.



North American Office

12532 Beverly Park Road,
Lynnwood, WA 98087
Tel: 800-523-7558
Fax: 425-355-3661
www.seaviewglobal.com

European Office

Tel: +33 4 94 53 27 70
Fax: +33 4 94 53 26 62
ZI Du Capitou, 85 Rue Louis
Lepine, Frejus 83600 - France
www.seaviewprogress.com